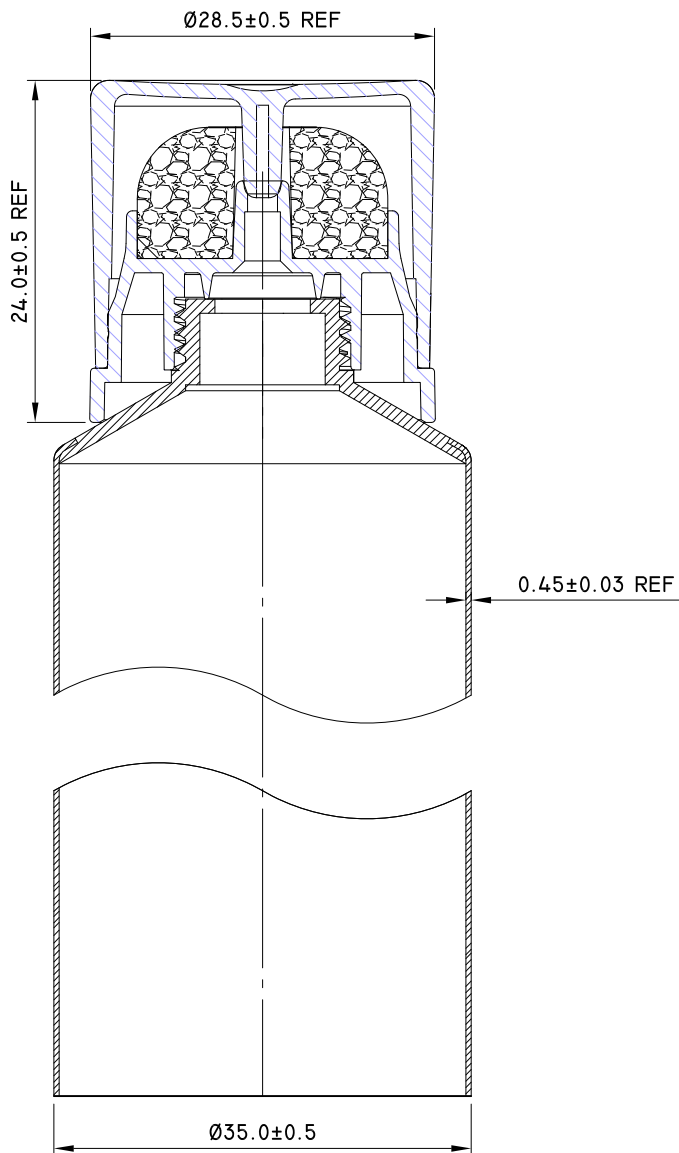
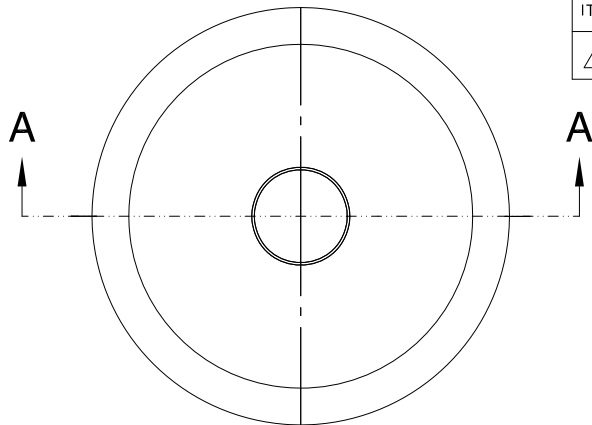


ITEM	DESCRIPTION OF REVISION	REVISED BY	DATE
⚠			



SECTION A-A

4	TUBE	D35-M15	PE
3	HOLDER	CJO11	PP
2	APPLICATOR	SN01	PUMICE STONE
1	CAP	D30-PL012	PP
No	PARTS	PART CODE	MATERIALS

PROPRIETARY AND CONFIDENTIAL

THE INFORMATION CONTAINED IN THIS DRAWING IS THE SOLE PROPERTY OF UDN INTERNATIONAL INC. ANY REPRODUCTION IN PART OR AS A WHOLE WITHOUT THE WRITTEN PERMISSION OF UDN INTERNATIONAL INC. IS PROHIBITED.

Designed **HSH** Date **2018/05/18**
 Checked **BECK** Date **2018/05/18**
 Approved _____ Date _____

Drawing Name: **PT2020019**
 Product Name: **ASSEMBLY**
 Drawing/File No. _____

GENERAL TOLERANCES

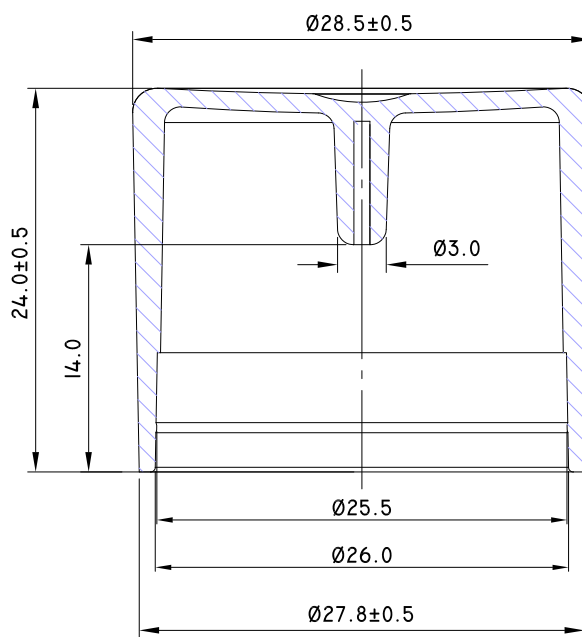
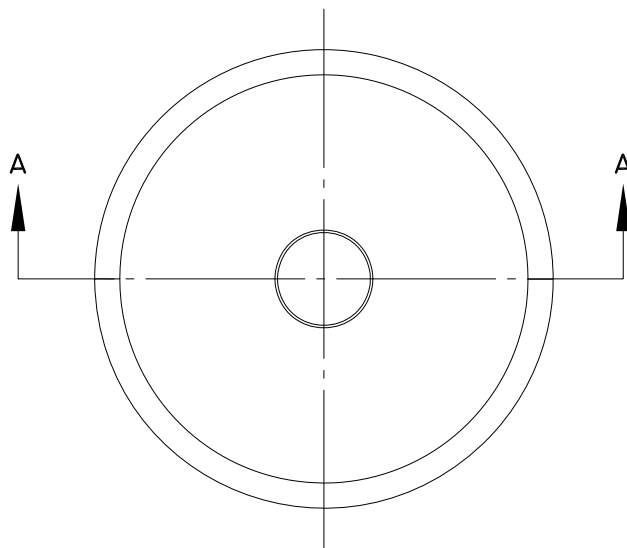
X.X ±0.2
 X.XX ±0.15
 ANGULAR X.X ±0.5°

Scale 1.5 : 1 Material **SEE BOM**
 Unit mm View

Don't Scale Drawing



ITEM	DESCRIPTION OF REVISION	REVISED BY	DATE
△			

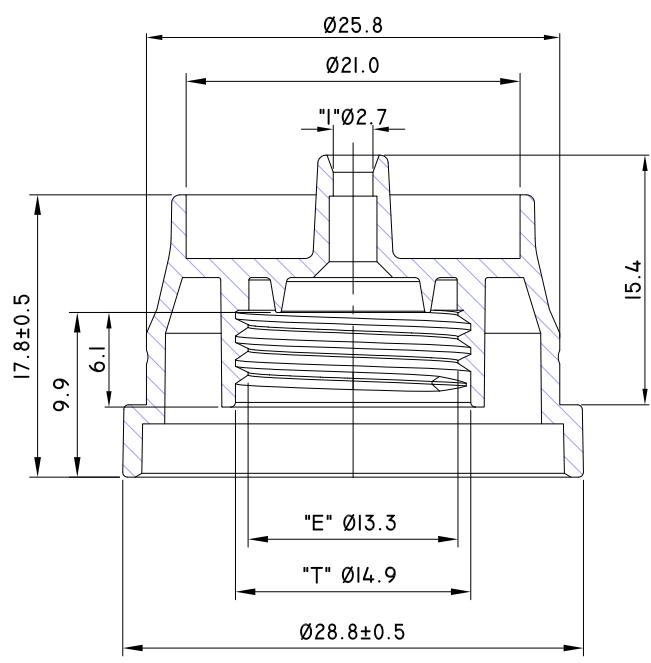
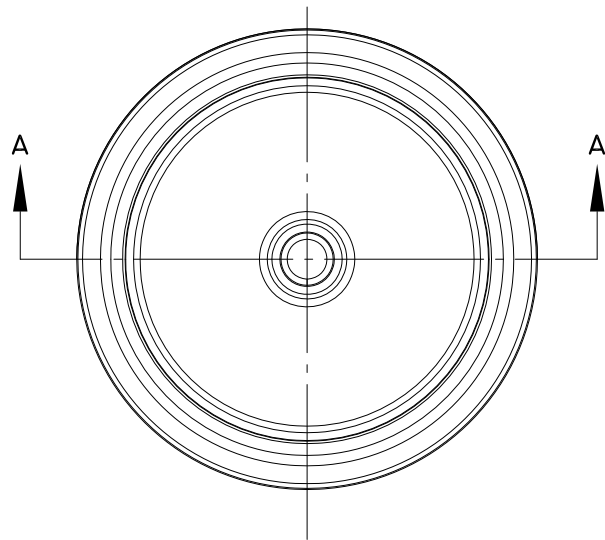


SECTION A-A

<p>PROPRIETARY AND CONFIDENTIAL</p> <p>THE INFORMATION CONTAINED IN THIS DRAWING IS THE SOLE PROPERTY OF UDN INTERNATIONAL INC. ANY REPRODUCTION IN PART OR AS A WHOLE WITHOUT THE WRITTEN PERMISSION OF UDN INTERNATIONAL INC. IS PROHIBITED.</p>	Designed HSH	Date 2018/05/18	Drawing Name: PT2020019		
	Checked BECK	Date 2018/05/18	Product Name CAP		
	Approved	Date	Drawing/File No.		
	GENERAL TOLERANCES		Scale	1.5 : 1	Material PP
	X.X ±0.2 X.XX ±0.15 ANGULAR X.X ±0.5°		Unit	mm	View
Don't Scale Drawing					



ITEM	DESCRIPTION OF REVISION	REVISED BY	DATE
△			



SECTION A-A

PROPRIETARY AND CONFIDENTIAL

THE INFORMATION CONTAINED IN THIS DRAWING IS THE SOLE PROPERTY OF UDN INTERNATIONAL INC. ANY REPRODUCTION IN PART OR AS A WHOLE WITHOUT THE WRITTEN PERMISSION OF UDN INTERNATIONAL INC. IS PROHIBITED.

Designed **HSH** Date **2018/05/18**
 Checked **BECK** Date **2018/05/18**
 Approved _____ Date _____

Drawing Name: **PT2020019**
 Product Name: **HOLDER**
 Drawing/File No. _____

GENERAL TOLERANCES

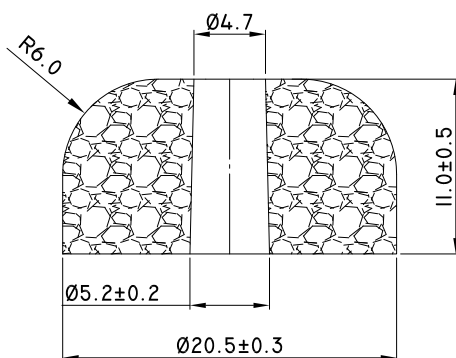
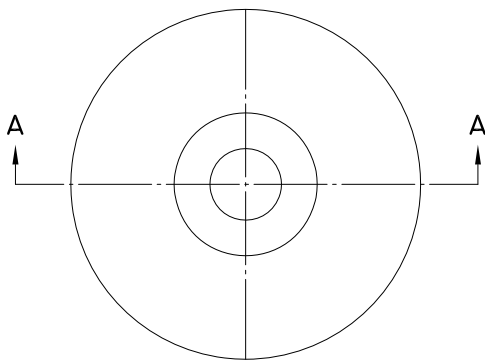
X.X ±0.2
 X.XX ±0.15
 ANGULAR X.X ±0.5°

Scale: 2 : 1
 Unit: mm
 Material: **PP**
 View:

Don't Scale Drawing



ITEM	DESCRIPTION OF REVISION	REVISED BY	DATE
△			

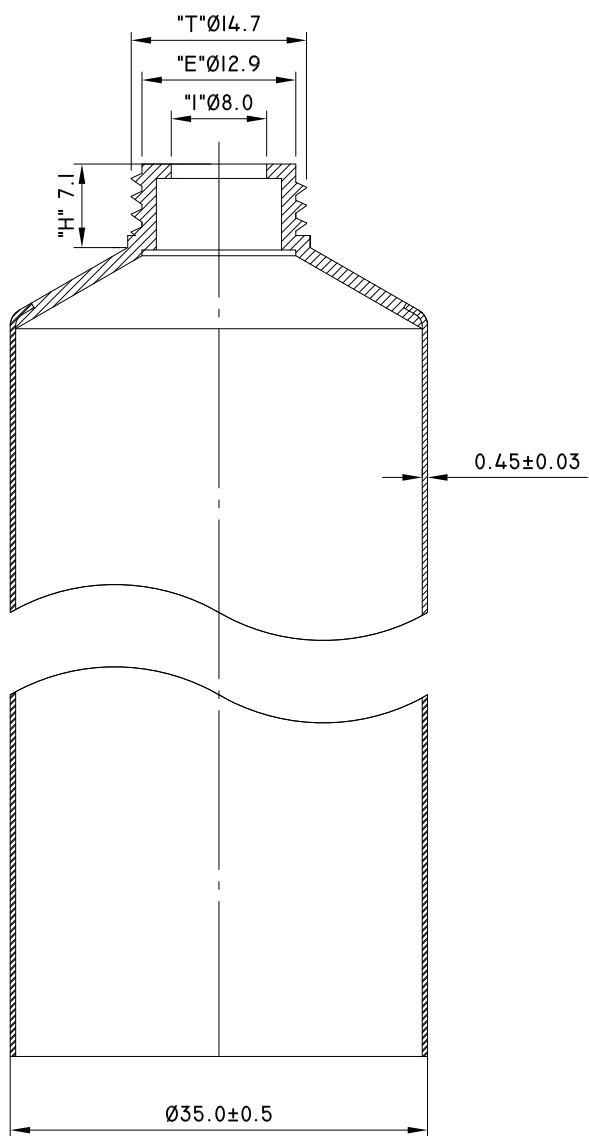
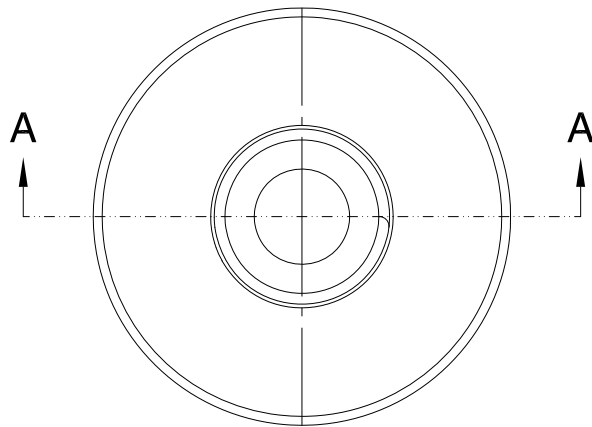


SECTION A-A

<p>PROPRIETARY AND CONFIDENTIAL</p> <p>THE INFORMATION CONTAINED IN THIS DRAWING IS THE SOLE PROPERTY OF UDN INTERNATIONAL INC. ANY REPRODUCTION IN PART OR AS A WHOLE WITHOUT THE WRITTEN PERMISSION OF UDN INTERNATIONAL INC. IS PROHIBITED.</p>	Designed HSH Date 2018/05/18	Drawing Name:	PT2020019		
	Checked BECK Date 2018/05/18	Product Name	APPLICATOR		
	Approved Date	Drawing/File No.			
	GENERAL TOLERANCES	Scale	2 : 1	Material	PUMICE STONE
		X.X ± 0.2 X.XX ± 0.15 ANGULAR X.X $\pm 0.5^\circ$	Unit	mm	View
Don't Scale Drawing					



ITEM	DESCRIPTION OF REVISION	REVISED BY	DATE
⚠			



SECTION A-A

<p>PROPRIETARY AND CONFIDENTIAL</p> <p>THE INFORMATION CONTAINED IN THIS DRAWING IS THE SOLE PROPERTY OF UDN INTERNATIONAL INC. ANY REPRODUCTION IN PART OR AS A WHOLE WITHOUT THE WRITTEN PERMISSION OF UDN INTERNATIONAL INC. IS PROHIBITED.</p>	Designed HSH 2018/05/18	Date 2018/05/18	Drawing Name: PT2020019		
	Checked BECK 2018/05/18	Date 2018/05/18	Product Name TUBE		
	Approved	Date	Drawing/File No.		
	GENERAL TOLERANCES		Scale	1.5 : 1	Material PE
	X.X ±0.2 X.XX ±0.15 ANGULAR X.X ±0.5°		Unit	mm	View
Don't Scale Drawing					

