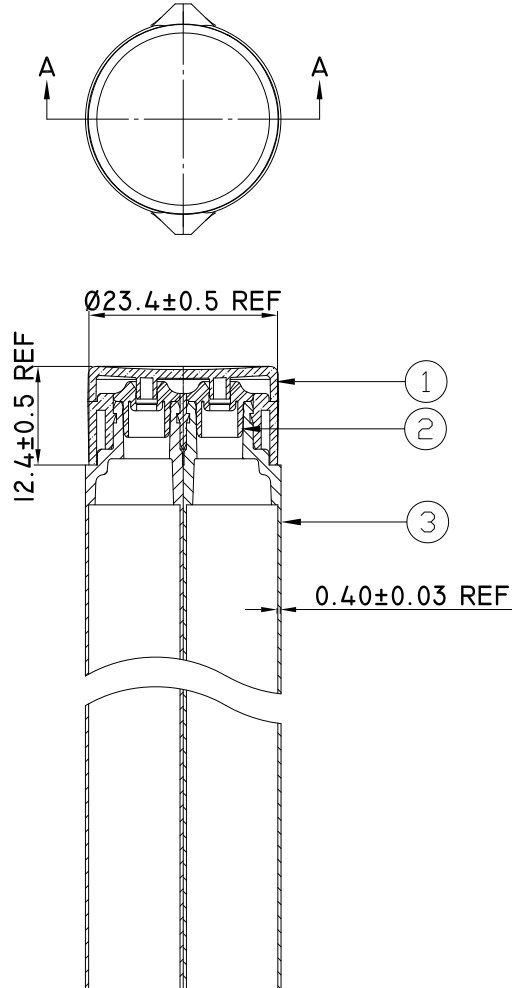


ITEM	DESCRIPTION OF REVISION	REVISED BY	DATE
△			



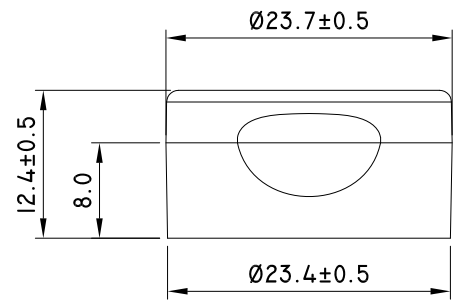
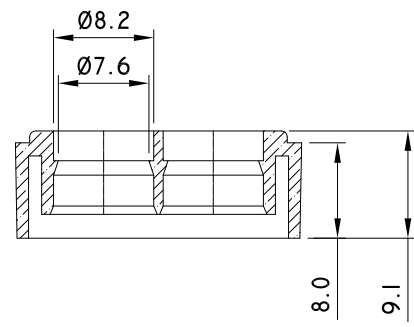
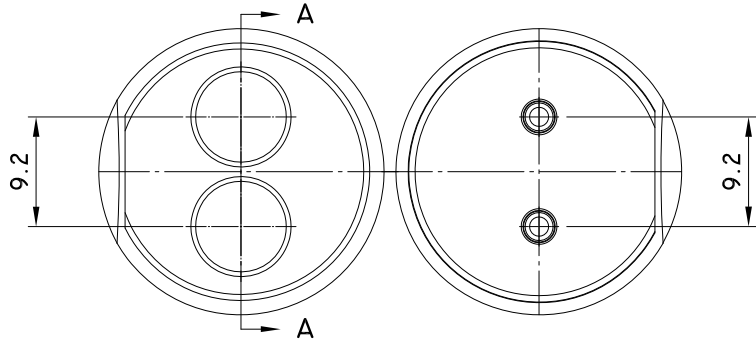
SECTION A-A

3	TUBE	DI9-SBS04	PE
2	PLUG	H10	PE
1	CAP	D25-FI6UD	PP
No	PARTS	PART CODE	MATERIALS

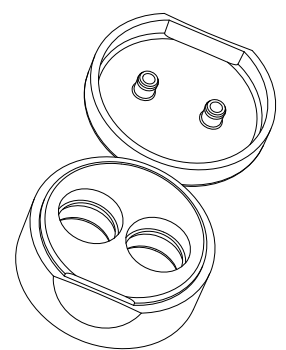
<p>PROPRIETARY AND CONFIDENTIAL</p> <p>THE INFORMATION CONTAINED IN THIS DRAWING IS THE SOLE PROPERTY OF UDN INTERNATIONAL INC. ANY REPRODUCTION IN PART OR AS WHOLE WITHOUT THE WRITTEN PERMISSION OF UDN INTERNATIONAL INC. IS PROHIBITED.</p>	Designed WHB 2018/05/04	Date 2018/05/04	Drawing Name: PT2020022		
	Checked BECK 2018/05/04	Date 2018/05/04	Product Name ASSEMBLY		
	Approved	Date	Drawing/File No.		
	GENERAL TOLERANCES		Scale	1 : 1	Material
	X.X ±0.2 X.XX ±0.15 ANGULAR X.X ±0.5°		Unit	mm	View
Don't Scale Drawing					



ITEM	DESCRIPTION OF REVISION	REVISED BY	DATE
△			

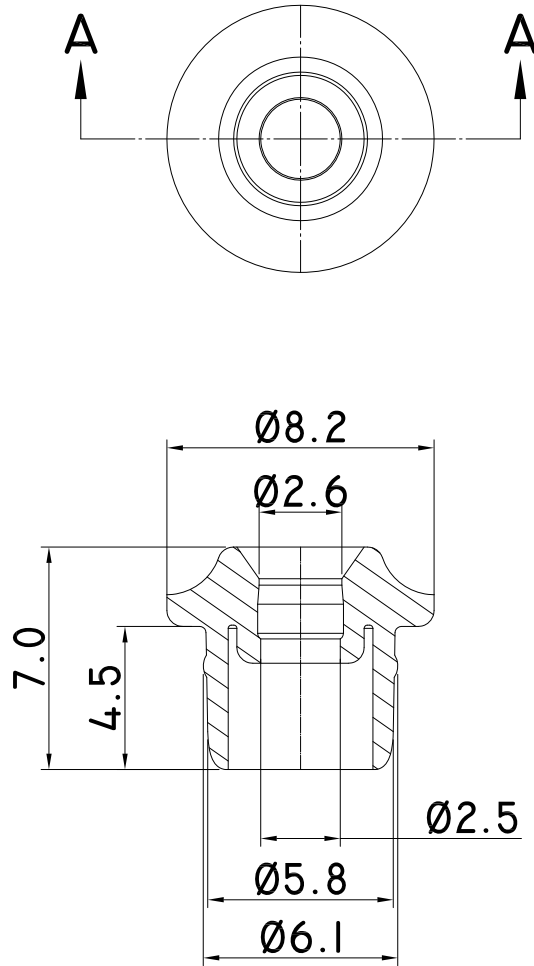


SECTION A-A



<p>PROPRIETARY AND CONFIDENTIAL</p> <p>THE INFORMATION CONTAINED IN THIS DRAWING IS THE SOLE PROPERTY OF UDN INTERNATIONAL INC. ANY REPRODUCTION IN PART OR AS A WHOLE WITHOUT THE WRITTEN PERMISSION OF UDN INTERNATIONAL INC. IS PROHIBITED.</p>	Designed WHB 2018/05/04	Drawing Name: PT2020022	
	Checked BECK 2018/05/04	Product Name CAP	
	Approved Date	Drawing/File No.	
	GENERAL TOLERANCES	Scale 1.5 : 1	Material PP
	X.X ±0.2 X.XX ±0.15 ANGULAR X.X ±0.5°	Unit mm	View
Don't Scale Drawing			

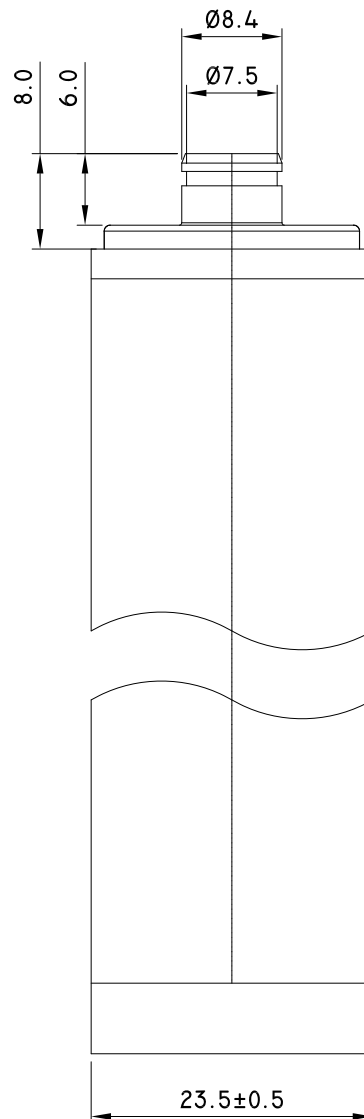
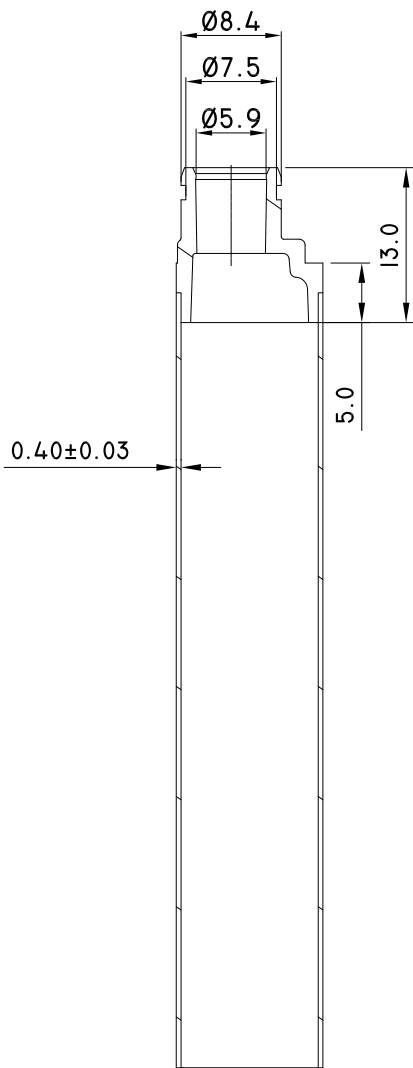
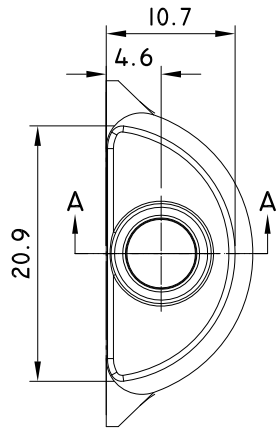
ITEM	DESCRIPTION OF REVISION	REVISED BY	DATE
△			



SECTION A-A

<p>PROPRIETARY AND CONFIDENTIAL</p> <p>THE INFORMATION CONTAINED IN THIS DRAWING IS THE SOLE PROPERTY OF UDN INTERNATIONAL INC. ANY REPRODUCTION IN PART OR AS WHOLE WITHOUT THE WRITTEN PERMISSION OF UDN INTERNATIONAL INC. IS PROHIBITED.</p>	Designed WHB Date 2018/05/04	Drawing Name:		PT2020022		
	Checked BECK Date 2018/05/04	Product Name		PLUG		
	Approved Date	Drawing/File No.				
	GENERAL TOLERANCES X.X ±0.2 X.XX ±0.15 ANGULAR X.X ±0.5°	Scale	4 : 1	Material	PE	
		Unit	mm	View		
Don't Scale Drawing						

ITEM	DESCRIPTION OF REVISION	REVISED BY	DATE
△			



SECTION A-A

<p>PROPRIETARY AND CONFIDENTIAL</p> <p>THE INFORMATION CONTAINED IN THIS DRAWING IS THE SOLE PROPERTY OF UDN INTERNATIONAL INC. ANY REPRODUCTION IN PART OR AS WHOLE WITHOUT THE WRITTEN PERMISSION OF UDN INTERNATIONAL INC. IS PROHIBITED.</p>	Designed WHB	Date 2018/05/04	Drawing Name: PT2020022	
	Checked BECK	Date 2018/05/04	Product Name TUBE	
	Approved	Date	Drawing/File No.	
	GENERAL TOLERANCES		Scale 1.5 : 1	Material PE
	X.X ±0.2		Unit mm	View
	X.XX ±0.15		Don't Scale Drawing	
	ANGULAR X.X ±0.5°			

